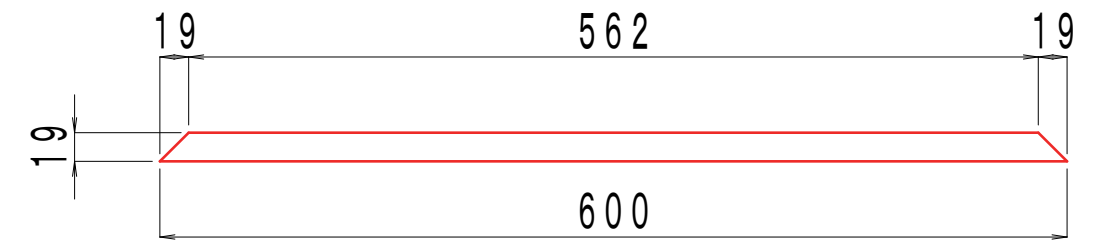
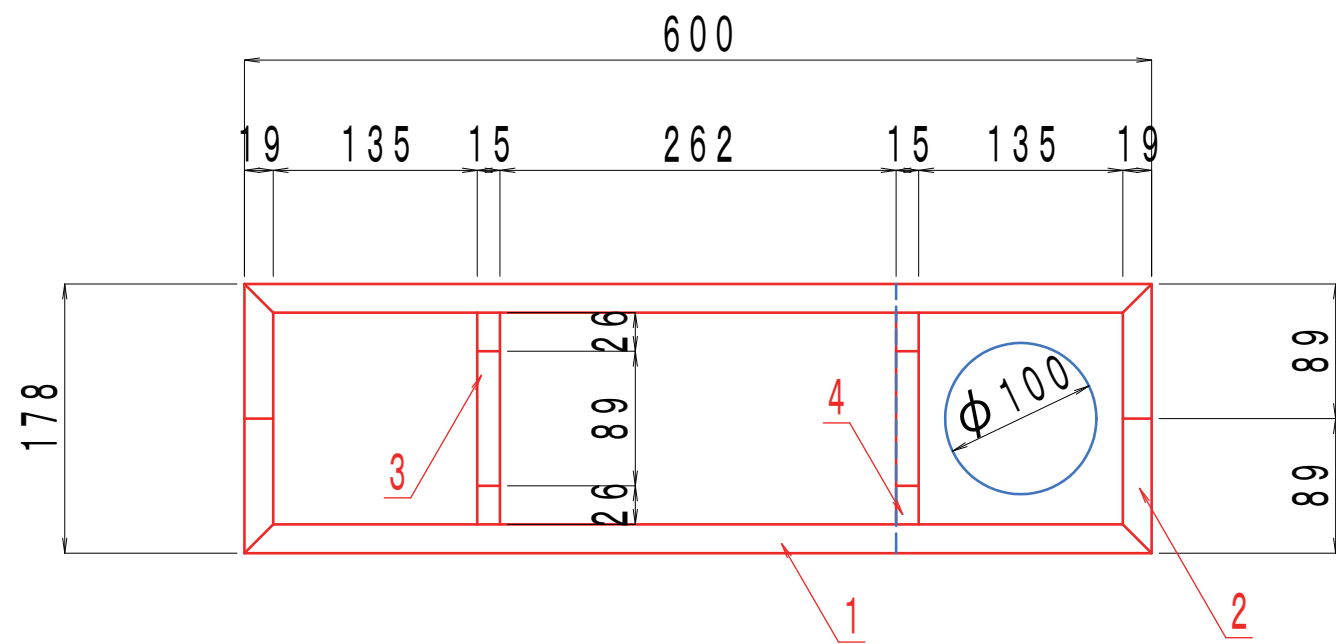


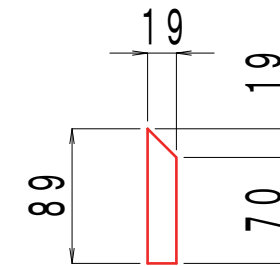
子供部屋ゴミ箱

S=1:5

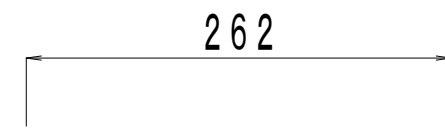
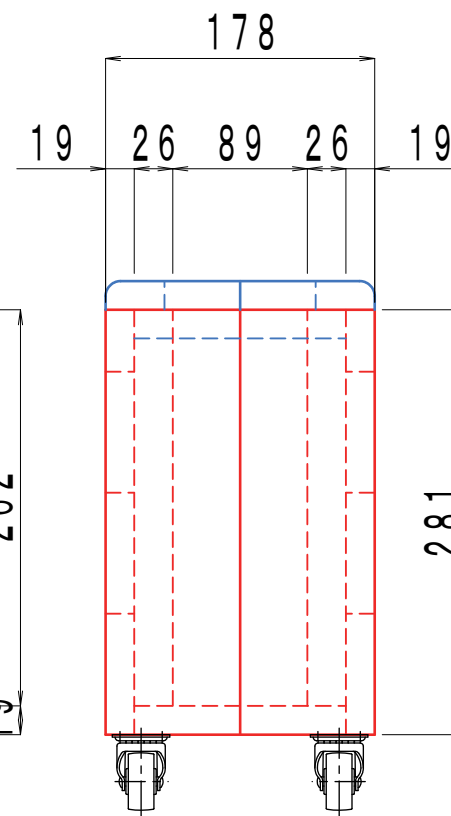
1/1



① $19 \times 80 (41) \times 562 \sim 600 - 8$

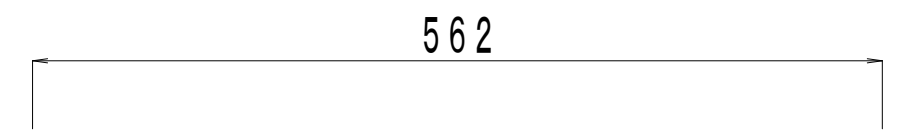


② $19 \times 281 \times 70 \sim 89 - 4$



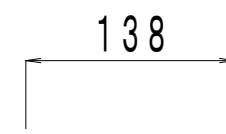
③ $15 \times 89 \times 262 - 2$

④ $15 \times 25.5 \times 262 - 4$

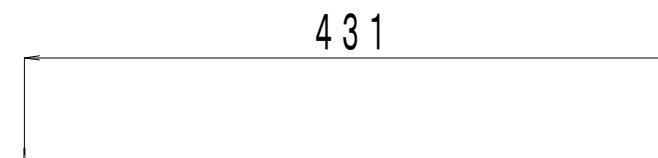
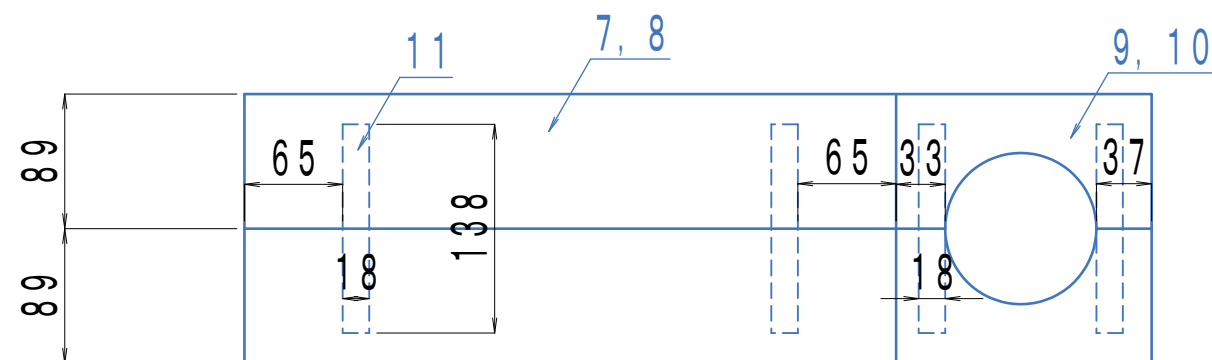


⑤ $19 \times 89 \times 562 - 1$

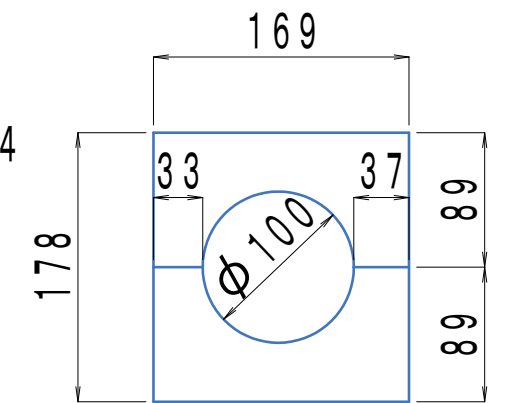
⑥ $19 \times 51 \times 562 - 1$



⑪ $19 \times 17.5 \times 138 - 4$



⑦⑧ $19 \times 89 \times 431 - 2$



⑨⑩ $19 \times 89 \times 169 - 1$