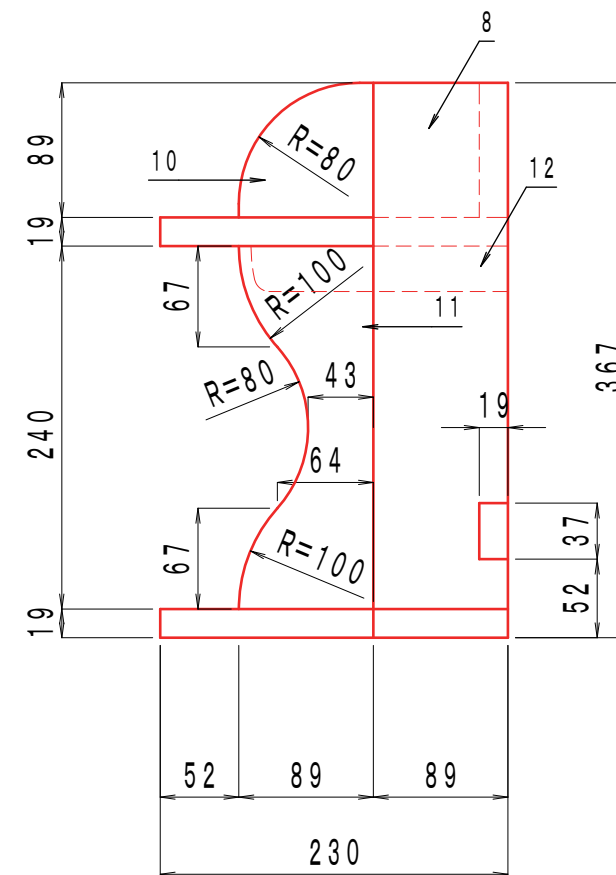
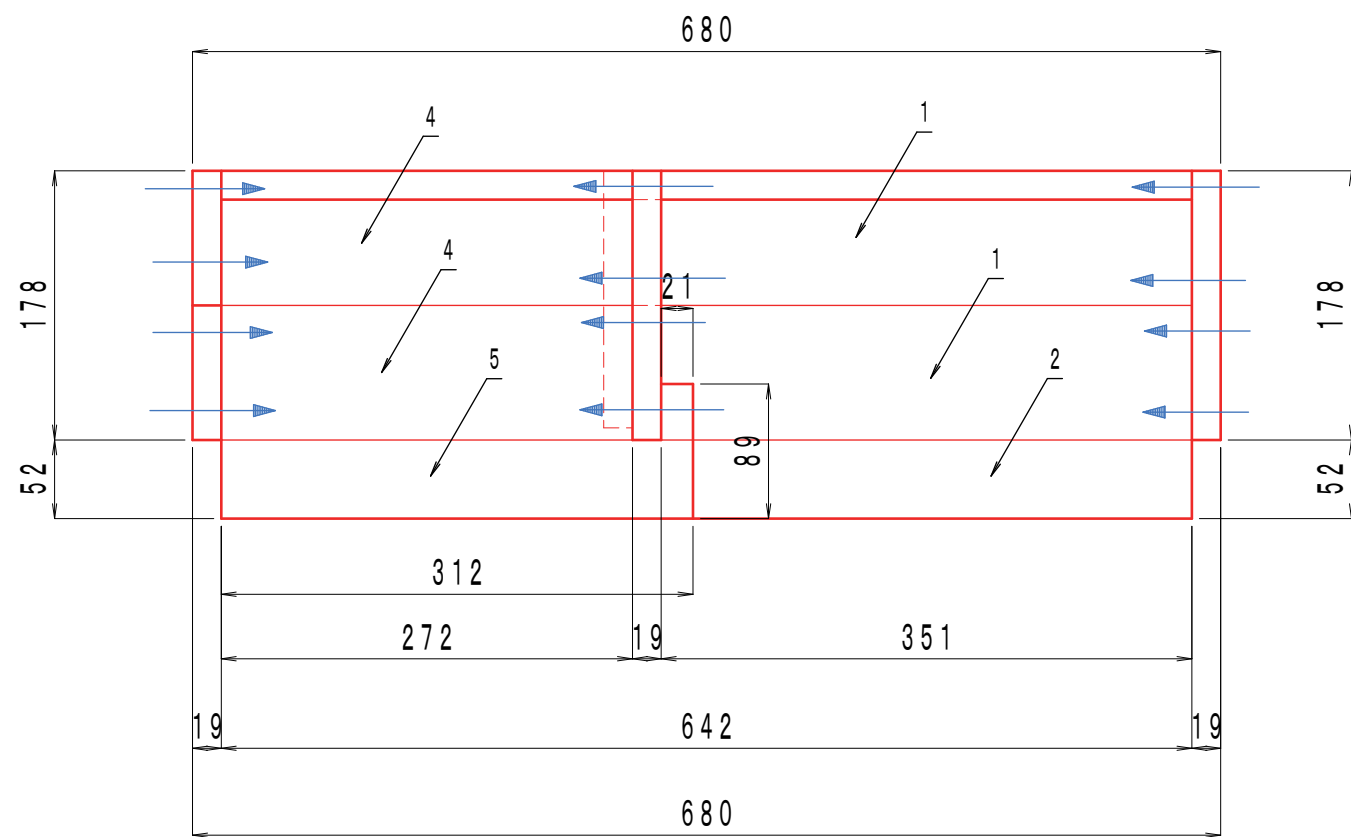
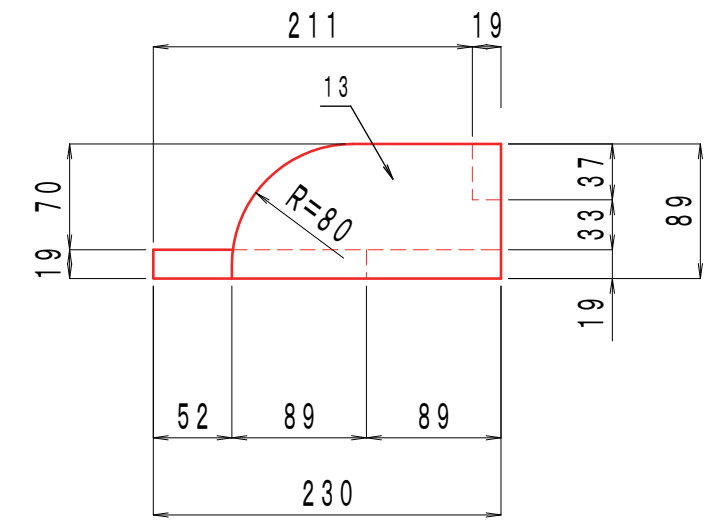
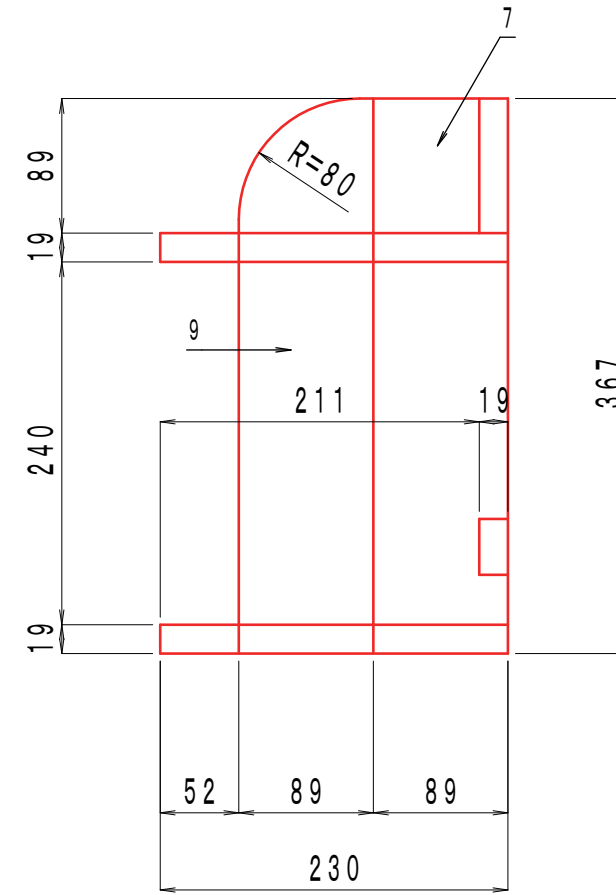
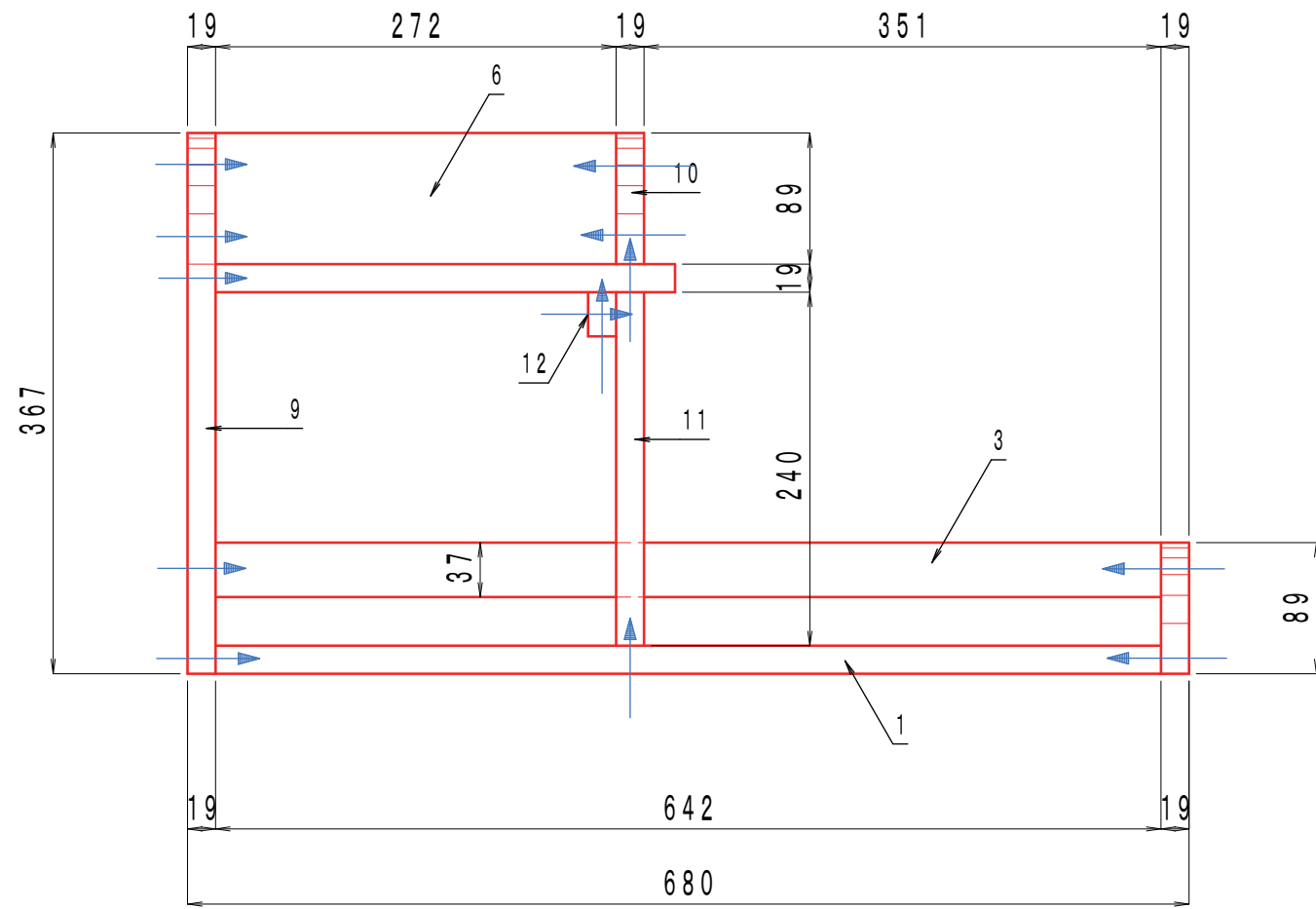


キッチン棚

S=1:5

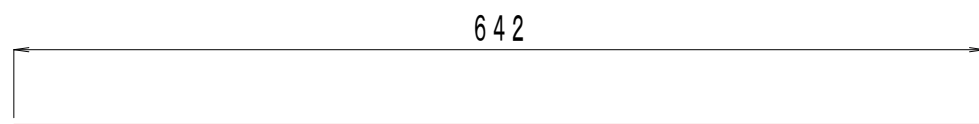
1
2



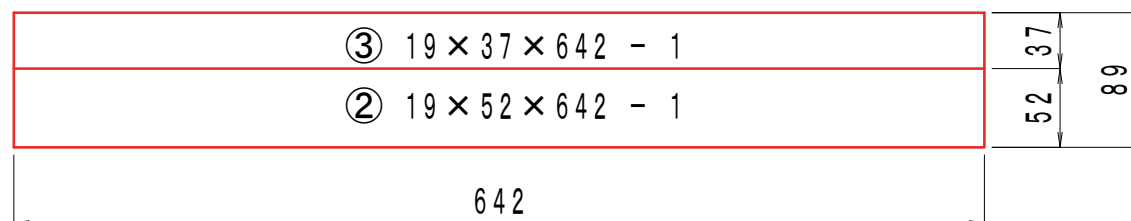
キッチン棚

S=1:5

2 / 2

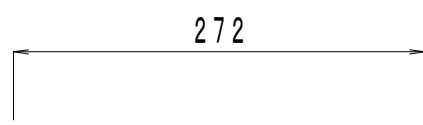


① $19 \times 89 \times 642 - 2$



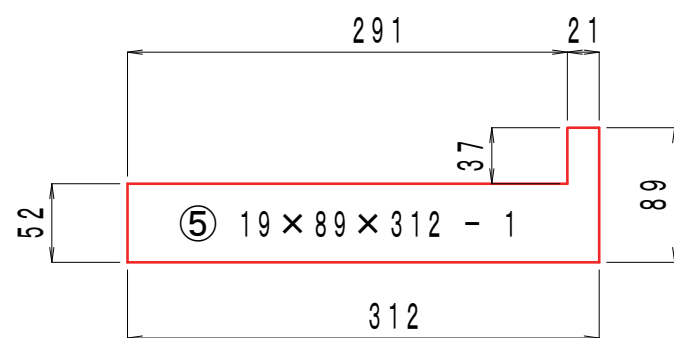
③ $19 \times 37 \times 642 - 1$

② $19 \times 52 \times 642 - 1$

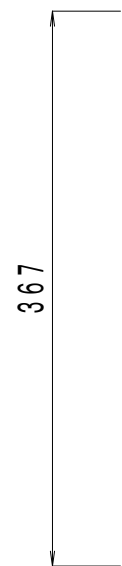


④ $19 \times 89 \times 272 - 2$

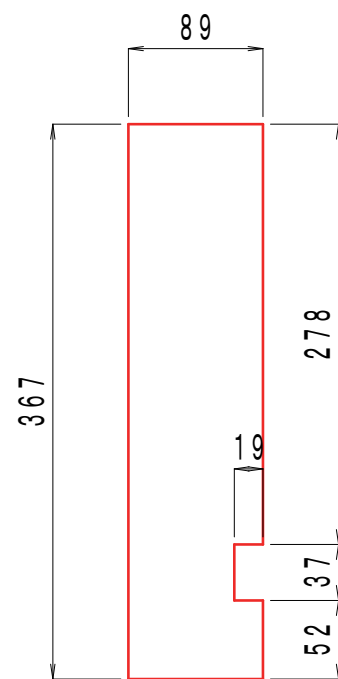
⑥ $19 \times 89 \times 272 - 1$



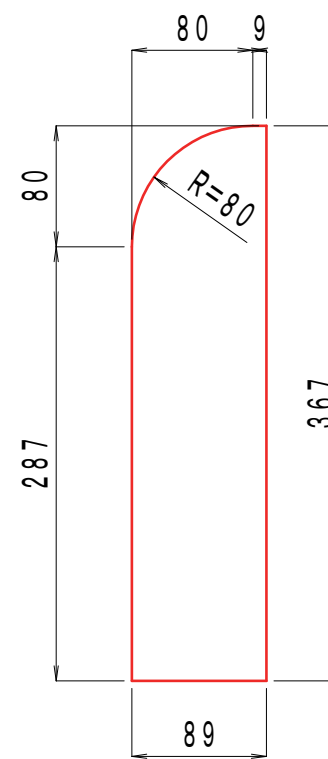
⑤ $19 \times 89 \times 312 - 1$



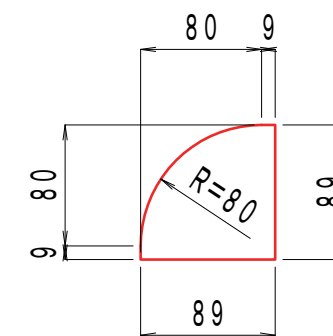
⑦ $19 \times 89 \times 367 - 1$



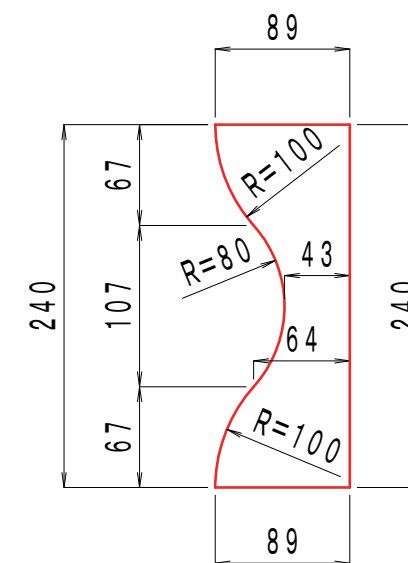
⑧ $19 \times 89 \times 367 - 1$



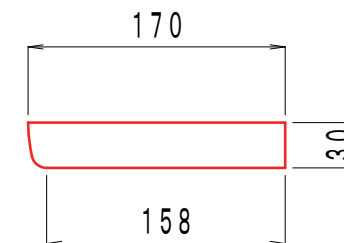
⑨ $19 \times 89 \times 367 - 1$



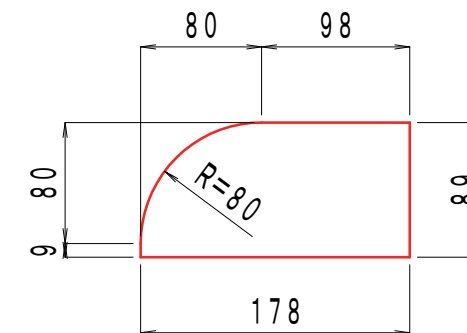
⑩ $19 \times 89 \times 89 - 1$



⑪ $19 \times 89 \times 240 - 1$



⑫ $19 \times 30 \times 170 - 1$



⑬ $19 \times 89 \times 178 - 1$